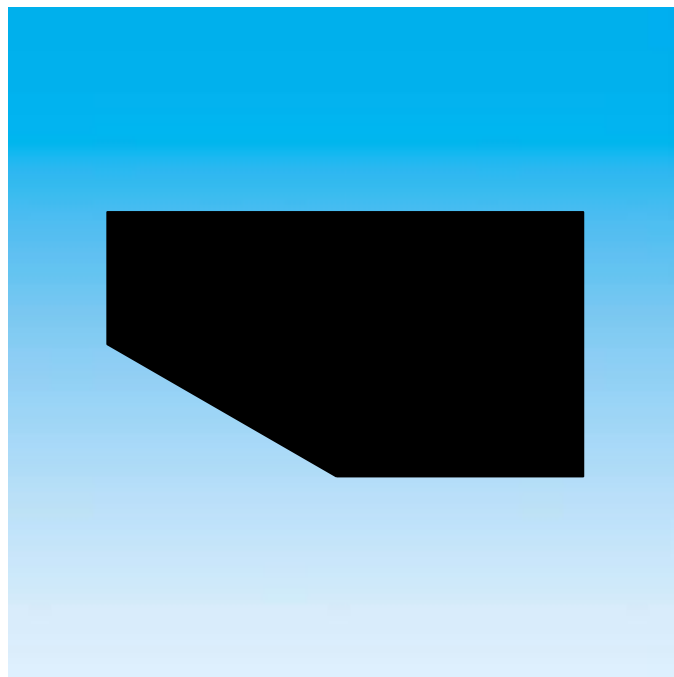


---

# FLUID CONNECTOR SEAL



- Axial sealing -

- Elastomers -





## ■ Description

This elastomeric seal is used as an axial static seal for threaded ports and stud ends in hydraulic fluid power applications in accordance with DIN 3869, ISO 11926, ISO 9974 and ISO 1179. The cross-section remains practically constant even under high pressure.

The groove dimensions are in accordance with DIN 3852 part 11.

## Advantages

- Minimal mechanical deformation of the cross-section
- Outstanding sealing behaviour over long periods
- No twisting in the groove
- No relative movements during pressure cycles
- Dimensionally stable under pressure
- High leak tightness compared to metal / metal sealing

## Application examples

Significant testing over more than 15 years has confirmed the performance requirements of these seals with ports and stud ends (metric, UNF, Withworth) in hydraulic components such as:

- Injection molding machines
- Machine tools
- Presses
- Excavators
- Agricultural machines
- Valves for hydraulic circuits

## Technical data

Operating pressure:

Up to 63 MPa

Operating temperature:

-25 °C to +100 °C	NBR 85 Shore A	black
-18 °C to +200 °C	FKM 80 Shore A	green

### Important Note:

The performance and operational reliability of this seal is related to the assembly techniques used. The application limits for pressure and temperature given in this catalogue are maximum values. During practical applications it should be remembered that due to the interaction of operating action of operating parameters, the maximum values must be set correspondingly lower.



## Fluid Connector Seal

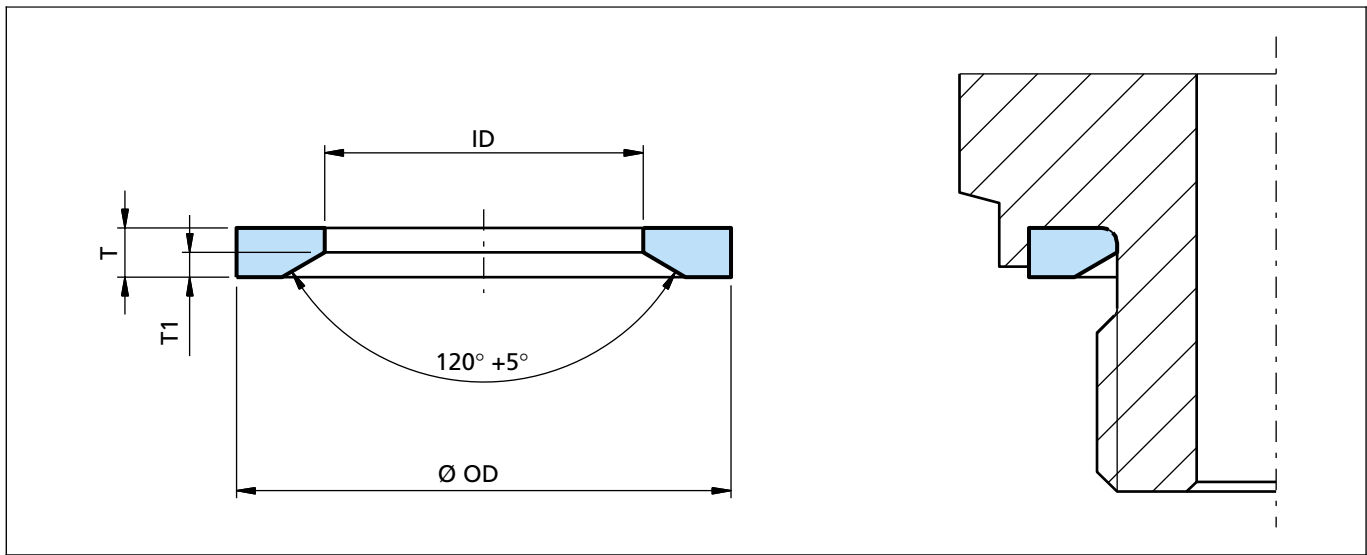


Figure 41 Installation drawing

### Ordering example

**DRV100157-N**

**DRV100239-V**

**Table XXXVII Dimensions / TSS Part No.**

Size	Thread (metric)	Thread (inch)	ø ID	ø OD	T	T1	TSS Part No.
10.0	M 10 x 1	G 1/8 A	8.4	11.9	1.0	0.5	DRV100084
12.0	M 12 x 1.5	-	9.8	14.4	1.5	0.8	DRV100098
14.0	M 14 x 1.5	G 1/4 A	11.6	16.5	1.5	0.8	DRV100116
16.0	M 16 x 1.5	-	13.8	18.9	1.5	0.8	DRV100138
17.0	-	G 3/8 A	14.7	18.9	1.5	0.8	DRV100147
18.0	M 18 x 1.5	-	15.7	20.9	1.5	0.8	DRV100157
20.0	M 20 x 1.5	-	17.8	22.9	1.5	0.8	DRV100178
21.0	-	G 1/2 A	18.5	23.9	1.5	0.8	DRV110185
22.0	M 22 x 1.5	-	19.6	24.3	1.5	0.8	DRV100196
27.0	M 27 x 2	G 3/4 A	23.9	29.2	1.5	0.8	DRV100239
33.0	M 33 x 2	G 1 A	29.7	35.7	2.0	1.0	DRV100297
42.0	M 42 x 2	G 1 1/4 A	38.8	45.8	2.0	1.0	DRV100388
48.0	M 48 x 2	G 1 1/2 A	44.7	50.7	2.0	1.0	DRV100447

This table shows the possible range of available dimensions (Fluid Connector Seal). However, these dimensions are not always stock items.