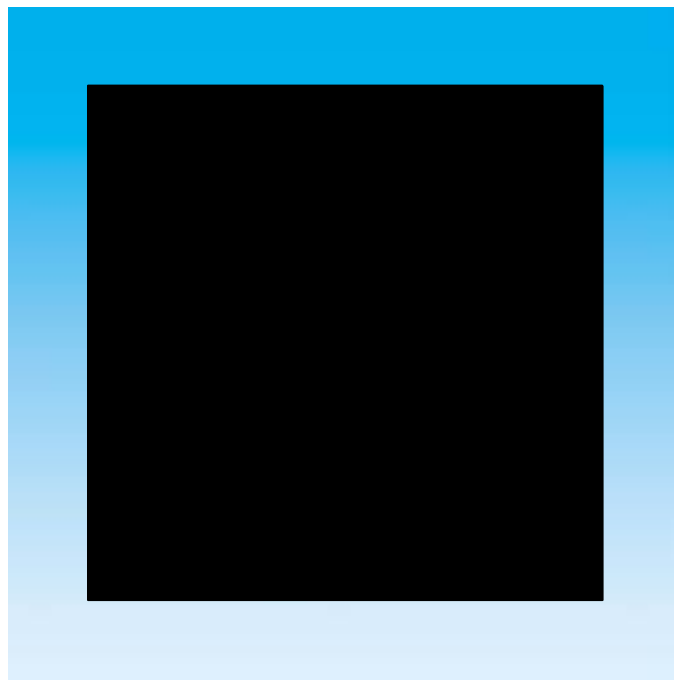
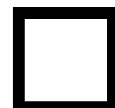

KANTSEAL



- Axial sealing -

- Elastomers -





■ Description

The Kantseal is a good alternative to the O-Ring as an axial static seal in cases where particular demands are made. The application and handling of Kantseals is comparable with those of O-Rings. The Kantseal is used as a static seal so that the square form remains practically constant even under high pressures.

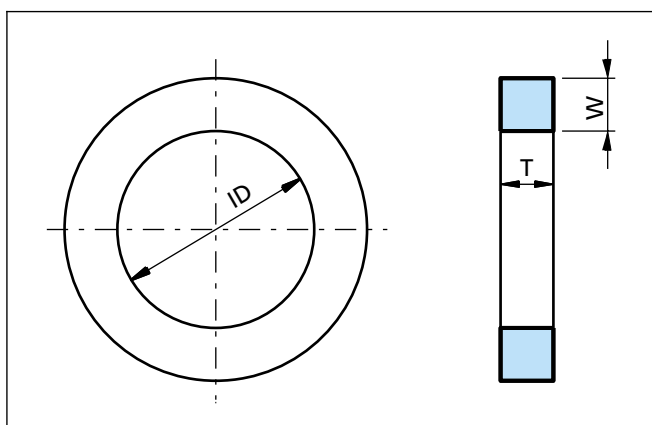


Figure 13 Kantseal dimensioning

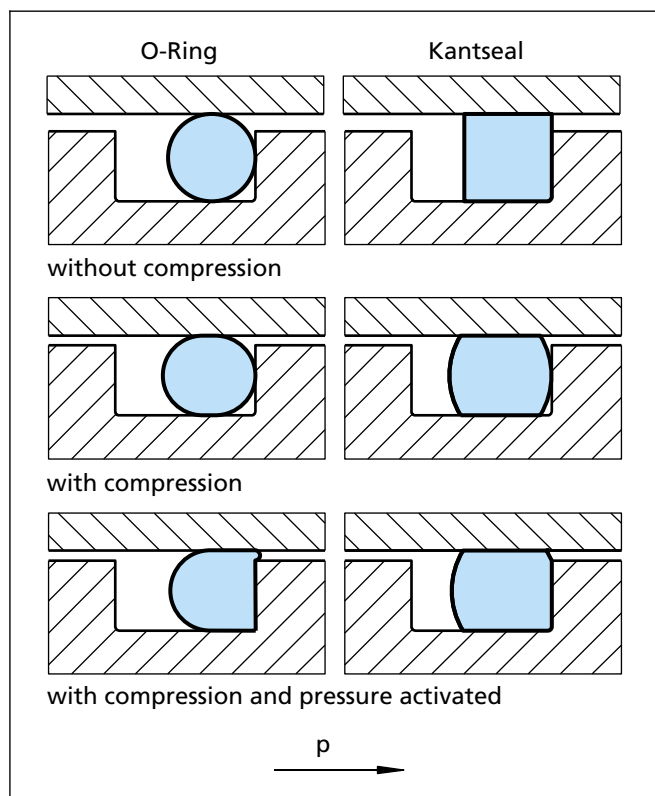


Figure 14 Installation comparison - O-Ring/Kantseal

■ Advantages

- High resistance to extrusion, not sensitive to gap extrusion
- Minimum mechanical deformation of the cross-section
- Outstanding sealing behaviour over long periods
- Good compression set
- No twisting in the groove
- No relative movements during pressure cycles
- Dimensionally stable under pressure
- No additional Back-up Ring required
- No parting line or flash on the seal
- Long service life
- High leak tightness

■ Application examples

- Flanges
- Valves
- Plates
- Locks

Technical data

Pressure:

up to 50 MPa and higher (depending on sealing gap)

Operating temperature:

-30 °C to +100 °C	NBR 70 Shore A
-20 °C to +100 °C	NBR 90 Shore A
-18 °C to +200 °C	FKM 70 Shore A
-15 °C to +200 °C	FKM 90 Shore A

Media:

Depending on the used material oil-based hydraulic fluids, lubricating oils, water, air and further media.

Important Note:

The application limits for pressure and temperature given in this catalogue are maximum values. During practical applications it should be remembered that due to the interaction of operating parameters the maximum values must be set correspondingly lower.



■ Design instructions

Groove design

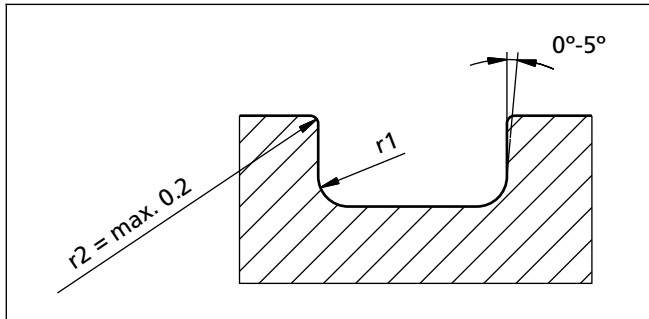


Figure 15 Groove specifications

Table XVII Surface roughness

Type of load	Surface	Rt μm	Rz μm	Ra μm
Axial-static	Mating surface	≤ 10.0	≤ 6.3	≤ 1.6
	Groove surface (groove bottom, groove flanks)	≤ 16.0	≤ 6.3	≤ 1.6
Under pulsating pressures	Mating surface	≤ 6.3	≤ 6.3	≤ 0.8
	Groove surface (groove bottom, groove flanks)	≤ 10.0	≤ 6.3	≤ 1.6

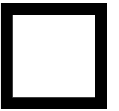
■ Tolerances

Table XVIII Tolerances for Kantseal inside diameter ID

Inside diameter ID	Tolerance ±
4.00 - 14.00	0.13
14.01 - 15.60	0.18
15.61 - 25.12	0.23
25.13 - 29.78	0.25
29.79 - 34.65	0.28
34.66 - 44.17	0.33
44.18 - 50.52	0.38
50.53 - 66.40	0.46
66.41 - 75.92	0.51
75.93 - 94.97	0.61
94.98 - 107.67	0.69
107.68 - 126.72	0.76
126.73 - 133.07	0.94
133.08 - 158.42	0.89
158.43 - 183.82	1.02
183.83 - 209.22	1.14
209.23 - 234.62	1.27
234.63 - 278.99	1.40
279.00 - 405.26	1.65
405.27 - 430.66	1.91
430.67 - 456.07	2.03

Table XIX Tolerances cross section W + T dimension

Cross section W	Tolerance ±	Cross section T	Tolerance ±
1.68	0.15	1.68	0.08
2.51	0.15	2.51	0.10
3.40	0.15	3.40	0.10
5.16	0.15	5.16	0.10
6.73	0.15	6.73	0.10



■ Axial-static installation with internal pressure

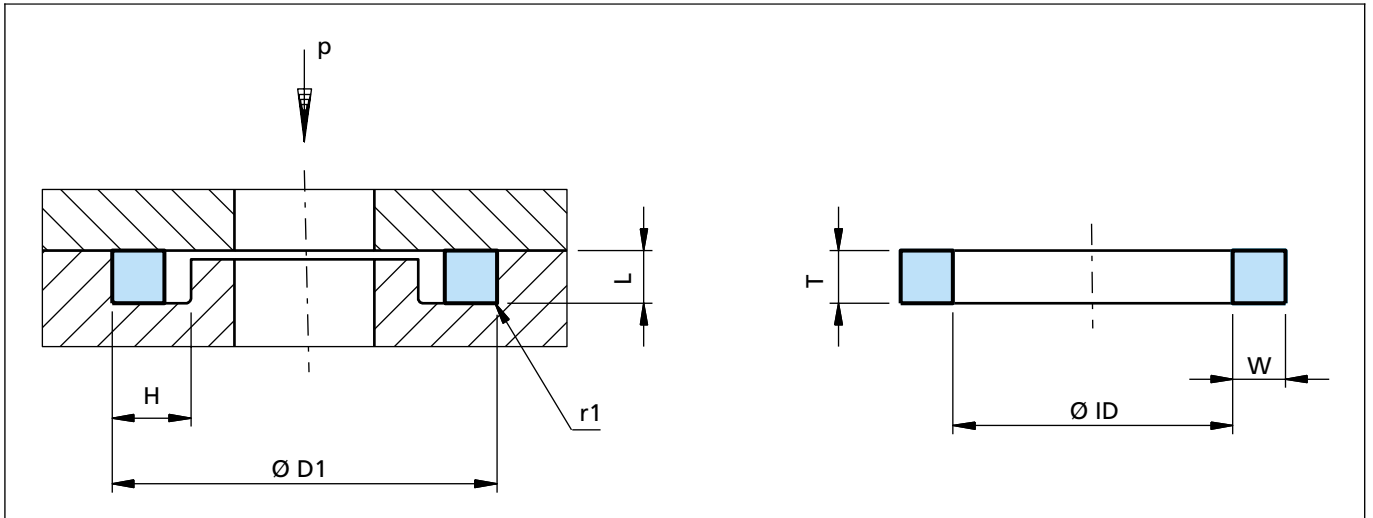


Figure 16 Installation drawing

Ordering example

Dimensions: Inside diameter ID = 28.17 mm
 Cross-section W = 3.40 mm
 Material: NBR 90 Shore A

TSS Article No.: DKAR00216-N90

Table XX Preferred series

Groove dimensions			Radius	Ring dimensions			TSS Part No.
D1 H11	H +0.2	L -0.05	r1 max.	ID	W	T	
7.92	2.4	1.45	0.4	4.47	1.68	1.68	DKAR00008
8.71	2.4	1.45	0.4	5.28	1.68	1.68	DKAR00009
9.53	2.4	1.45	0.4	6.07	1.68	1.68	DKAR00010
11.10	2.4	1.45	0.4	7.65	1.68	1.68	DKAR00011
12.70	2.4	1.45	0.4	9.25	1.68	1.68	DKAR00012
14.27	2.4	1.45	0.4	10.82	1.68	1.68	DKAR00013
15.88	2.4	1.45	0.4	12.42	1.68	1.68	DKAR00014
17.45	2.4	1.45	0.4	14.00	1.68	1.68	DKAR00015
19.05	2.4	1.45	0.4	15.60	1.68	1.68	DKAR00016
20.62	2.4	1.45	0.4	17.17	1.68	1.68	DKAR00017
22.23	2.4	1.45	0.4	18.77	1.68	1.68	DKAR00018
23.80	2.4	1.45	0.4	20.35	1.68	1.68	DKAR00019
25.40	2.4	1.45	0.4	21.95	1.68	1.68	DKAR00020
26.97	2.4	1.45	0.4	23.52	1.68	1.68	DKAR00021
28.58	2.4	1.45	0.4	25.12	1.68	1.68	DKAR00022

Other dimensions and metric sizes on request!

Kantseal

Groove dimensions			Radius	Ring dimensions			TSS Part No.
D1 H11	H +0.2	L -0.05	r1 max.	ID	W	T	
30.15	2.4	1.45	0.4	26.70	1.68	1.68	DKAR00023
31.75	2.4	1.45	0.4	28.30	1.68	1.68	DKAR00024
33.32	2.4	1.45	0.4	29.87	1.68	1.68	DKAR00025
34.93	2.4	1.45	0.4	31.47	1.68	1.68	DKAR00026
36.50	2.4	1.45	0.4	33.05	1.68	1.68	DKAR00027
38.10	2.4	1.45	0.4	34.65	1.68	1.68	DKAR00028
41.28	2.4	1.45	0.4	37.82	1.68	1.68	DKAR00029
44.45	2.4	1.45	0.4	41.00	1.68	1.68	DKAR00030
47.63	2.4	1.45	0.4	44.17	1.68	1.68	DKAR00031
50.80	2.4	1.45	0.4	47.35	1.68	1.68	DKAR00032
53.98	2.4	1.45	0.4	50.52	1.68	1.68	DKAR00033
57.15	2.4	1.45	0.4	53.70	1.68	1.68	DKAR00034
60.33	2.4	1.45	0.4	56.87	1.68	1.68	DKAR00035
63.50	2.4	1.45	0.4	60.05	1.68	1.68	DKAR00036
66.68	2.4	1.45	0.4	63.22	1.68	1.68	DKAR00037
69.85	2.4	1.45	0.4	66.40	1.68	1.68	DKAR00038
73.03	2.4	1.45	0.4	69.57	1.68	1.68	DKAR00039
76.20	2.4	1.45	0.4	72.75	1.68	1.68	DKAR00040
79.38	2.4	1.45	0.4	75.92	1.68	1.68	DKAR00041
85.73	2.4	1.45	0.4	82.27	1.68	1.68	DKAR00042
92.08	2.4	1.45	0.4	88.62	1.68	1.68	DKAR00043
98.43	2.4	1.45	0.4	94.97	1.68	1.68	DKAR00044
107.95	2.4	1.45	0.4	101.32	1.68	1.68	DKAR00045
111.13	2.4	1.45	0.4	107.67	1.68	1.68	DKAR00046
117.48	2.4	1.45	0.4	114.02	1.68	1.68	DKAR00047
123.83	2.4	1.45	0.4	120.37	1.68	1.68	DKAR00048
130.18	2.4	1.45	0.4	126.72	1.68	1.68	DKAR00049
136.53	2.4	1.45	0.4	133.07	1.68	1.68	DKAR00050
9.53	3.6	2.30	0.4	4.42	2.51	2.51	DKAR00106
10.31	3.6	2.30	0.4	5.23	2.51	2.51	DKAR00107
11.10	3.6	2.30	0.4	6.02	2.51	2.51	DKAR00108
12.70	3.6	2.30	0.4	7.59	2.51	2.51	DKAR00109
14.27	3.6	2.30	0.4	9.19	2.51	2.51	DKAR00110
15.88	3.6	2.30	0.4	10.77	2.51	2.51	DKAR00111
17.45	3.6	2.30	0.4	12.37	2.51	2.51	DKAR00112
19.05	3.6	2.30	0.4	13.94	2.51	2.51	DKAR00113

Other dimensions and metric sizes on request!



Groove dimensions			Radius	Ring dimensions			TSS Part No.
D1 H11	H +0.2	L -0.05	r1 max.	ID	W	T	
20.62	3.6	2.30	0.4	15.54	2.51	2.51	DKAR00114
22.23	3.6	2.30	0.4	17.12	2.51	2.51	DKAR00115
23.80	3.6	2.30	0.4	18.72	2.51	2.51	DKAR00116
25.40	3.6	2.30	0.4	20.29	2.51	2.51	DKAR00117
26.97	3.6	2.30	0.4	21.89	2.51	2.51	DKAR00118
28.58	3.6	2.30	0.4	23.47	2.51	2.51	DKAR00119
30.15	3.6	2.30	0.4	25.07	2.51	2.51	DKAR00120
31.75	3.6	2.30	0.4	26.64	2.51	2.51	DKAR00121
33.32	3.6	2.30	0.4	28.24	2.51	2.51	DKAR00122
34.93	3.6	2.30	0.4	29.82	2.51	2.51	DKAR00123
36.50	3.6	2.30	0.4	31.42	2.51	2.51	DKAR00124
38.10	3.6	2.30	0.4	32.99	2.51	2.51	DKAR00125
39.67	3.6	2.30	0.4	34.59	2.51	2.51	DKAR00126
41.28	3.6	2.30	0.4	36.17	2.51	2.51	DKAR00127
42.85	3.6	2.30	0.4	37.77	2.51	2.51	DKAR00128
44.45	3.6	2.30	0.4	39.34	2.51	2.51	DKAR00129
46.02	3.6	2.30	0.4	40.94	2.51	2.51	DKAR00130
47.63	3.6	2.30	0.4	42.52	2.51	2.51	DKAR00131
49.20	3.6	2.30	0.4	44.12	2.51	2.51	DKAR00132
50.80	3.6	2.30	0.4	45.69	2.51	2.51	DKAR00133
52.37	3.6	2.30	0.4	47.29	2.51	2.51	DKAR00134
53.98	3.6	2.30	0.4	48.90	2.51	2.51	DKAR00135
55.55	3.6	2.30	0.4	50.47	2.51	2.51	DKAR00136
57.15	3.6	2.30	0.4	52.07	2.51	2.51	DKAR00137
58.72	3.6	2.30	0.4	53.64	2.51	2.51	DKAR00138
60.33	3.6	2.30	0.4	55.25	2.51	2.51	DKAR00139
61.90	3.6	2.30	0.4	56.82	2.51	2.51	DKAR00140
63.50	3.6	2.30	0.4	58.42	2.51	2.51	DKAR00141
65.07	3.6	2.30	0.4	60.00	2.51	2.51	DKAR00142
66.68	3.6	2.30	0.4	61.60	2.51	2.51	DKAR00143
68.25	3.6	2.30	0.4	63.17	2.51	2.51	DKAR00144
69.85	3.6	2.30	0.4	64.77	2.51	2.51	DKAR00145
71.42	3.6	2.30	0.4	66.34	2.51	2.51	DKAR00146
73.03	3.6	2.30	0.4	67.95	2.51	2.51	DKAR00147
74.60	3.6	2.30	0.4	69.52	2.51	2.51	DKAR00148
76.20	3.6	2.30	0.4	71.12	2.51	2.51	DKAR00149
77.77	3.6	2.30	0.4	72.69	2.51	2.51	DKAR00150

Other dimensions and metric sizes on request!

Kantseal

Groove dimensions			Radius	Ring dimensions			TSS Part No.
D1 H11	H +0.2	L -0.05	r1 max.	ID	W	T	
80.95	3.6	2.30	0.4	75.87	2.51	2.51	DKAR00151
87.30	3.6	2.30	0.4	82.22	2.51	2.51	DKAR00152
93.65	3.6	2.30	0.4	88.57	2.51	2.51	DKAR00153
100.00	3.6	2.30	0.4	94.92	2.51	2.51	DKAR00154
106.35	3.6	2.30	0.4	101.27	2.51	2.51	DKAR00155
112.70	3.6	2.30	0.4	107.62	2.51	2.51	DKAR00156
119.05	3.6	2.30	0.4	113.97	2.51	2.51	DKAR00157
125.40	3.6	2.30	0.4	120.32	2.51	2.51	DKAR00158
131.75	3.6	2.30	0.4	126.67	2.51	2.51	DKAR00159
138.10	3.6	2.30	0.4	133.02	2.51	2.51	DKAR00160
144.45	3.6	2.30	0.4	139.37	2.51	2.51	DKAR00161
150.80	3.6	2.30	0.4	145.72	2.51	2.51	DKAR00162
157.15	3.6	2.30	0.4	152.07	2.51	2.51	DKAR00163
163.50	3.6	2.30	0.4	158.42	2.51	2.51	DKAR00164
169.85	3.6	2.30	0.4	164.77	2.51	2.51	DKAR00165
176.20	3.6	2.30	0.4	171.12	2.51	2.51	DKAR00166
182.55	3.6	2.30	0.4	177.47	2.51	2.51	DKAR00167
188.90	3.6	2.30	0.4	183.82	2.51	2.51	DKAR00168
195.25	3.6	2.30	0.4	190.17	2.51	2.51	DKAR00169
201.60	3.6	2.30	0.4	196.52	2.51	2.51	DKAR00170
207.95	3.6	2.30	0.4	202.87	2.51	2.51	DKAR00171
214.30	3.6	2.30	0.4	209.22	2.51	2.51	DKAR00172
220.65	3.6	2.30	0.4	215.57	2.51	2.51	DKAR00173
227.00	3.6	2.30	0.4	221.92	2.51	2.51	DKAR00174
233.35	3.6	2.30	0.4	228.27	2.51	2.51	DKAR00175
239.70	3.6	2.00	0.4	234.62	2.51	2.51	DKAR00176
246.05	3.6	2.30	0.4	240.97	2.51	2.51	DKAR00177
252.40	3.6	2.30	0.4	247.32	2.51	2.51	DKAR00178
11.10	4.8	3.10	0.6	4.34	3.40	3.40	DKAR00201
12.70	4.8	3.10	0.6	5.94	3.40	3.40	DKAR00202
14.27	4.8	3.10	0.6	7.52	3.40	3.40	DKAR00203
15.88	4.8	3.10	0.6	9.12	3.40	3.40	DKAR00204
17.45	4.8	3.10	0.6	10.69	3.40	3.40	DKAR00205
19.05	4.8	3.10	0.6	12.29	3.40	3.40	DKAR00206
20.62	4.8	3.10	0.6	13.87	3.40	3.40	DKAR00207
22.23	4.8	3.10	0.6	15.47	3.40	3.40	DKAR00208

Other dimensions and metric sizes on request!



Groove dimensions			Radius	Ring dimensions			TSS Part No.
D1 H11	H +0.2	L -0.05	r1 max.	ID	W	T	
23.80	4.8	3.10	0.6	17.04	3.40	3.40	DKAR00209
25.40	4.8	3.10	0.6	18.64	3.40	3.40	DKAR00210
26.97	4.8	3.10	0.6	20.22	3.40	3.40	DKAR00211
28.58	4.8	3.10	0.6	21.82	3.40	3.40	DKAR00212
30.15	4.8	3.10	0.6	23.39	3.40	3.40	DKAR00213
31.75	4.8	3.10	0.6	24.99	3.40	3.40	DKAR00214
33.32	4.8	3.10	0.6	26.57	3.40	3.40	DKAR00215
34.93	4.8	3.10	0.6	28.17	3.40	3.40	DKAR00216
36.50	4.8	3.10	0.6	29.74	3.40	3.40	DKAR00217
38.10	4.8	3.10	0.6	31.34	3.40	3.40	DKAR00218
39.67	4.8	3.10	0.6	32.92	3.40	3.40	DKAR00219
41.28	4.8	3.10	0.6	34.52	3.40	3.40	DKAR00220
42.85	4.8	3.10	0.6	36.09	3.40	3.40	DKAR00221
44.45	4.8	3.10	0.6	37.69	3.40	3.40	DKAR00222
47.63	4.8	3.10	0.6	40.87	3.40	3.40	DKAR00223
50.80	4.8	3.10	0.6	44.04	3.40	3.40	DKAR00224
53.98	4.8	3.10	0.6	47.22	3.40	3.40	DKAR00225
57.15	4.8	3.10	0.6	50.39	3.40	3.40	DKAR00226
60.33	4.8	3.10	0.6	53.57	3.40	3.40	DKAR00227
63.50	4.8	3.10	0.6	56.74	3.40	3.40	DKAR00228
66.68	4.8	3.10	0.6	59.92	3.40	3.40	DKAR00229
69.85	4.8	3.10	0.6	63.09	3.40	3.40	DKAR00230
73.03	4.8	3.10	0.6	66.27	3.40	3.40	DKAR00231
76.20	4.8	3.10	0.6	69.44	3.40	3.40	DKAR00232
79.38	4.8	3.10	0.6	72.62	3.40	3.40	DKAR00233
82.55	4.8	3.10	0.6	75.79	3.40	3.40	DKAR00234
85.73	4.8	3.10	0.6	78.97	3.40	3.40	DKAR00235
88.90	4.8	3.10	0.6	82.14	3.40	3.40	DKAR00236
92.08	4.8	3.10	0.6	85.32	3.40	3.40	DKAR00237
95.25	4.8	3.10	0.6	88.49	3.40	3.40	DKAR00238
98.43	4.8	3.10	0.6	91.67	3.40	3.40	DKAR00239
101.60	4.8	3.10	0.6	94.84	3.40	3.40	DKAR00240
104.78	4.8	3.10	0.6	98.02	3.40	3.40	DKAR00241
107.95	4.8	3.10	0.6	101.19	3.40	3.40	DKAR00242
111.13	4.8	3.10	0.6	104.37	3.40	3.40	DKAR00243
114.30	4.8	3.10	0.6	107.54	3.40	3.40	DKAR00244
117.48	4.8	3.10	0.6	110.72	3.40	3.40	DKAR00245

Other dimensions and metric sizes on request!

Kantseal

Groove dimensions			Radius	Ring dimensions			TSS Part No.
D1 H11	H +0.2	L -0.05	r1 max.	ID	W	T	
120.65	4.8	3.10	0.6	113.89	3.40	3.40	DKAR00246
123.83	4.8	3.10	0.6	117.07	3.40	3.40	DKAR00247
127.00	4.8	3.10	0.6	120.24	3.40	3.40	DKAR00248
130.18	4.8	3.10	0.6	123.42	3.40	3.40	DKAR00249
133.35	4.8	3.10	0.6	126.59	3.40	3.40	DKAR00250
136.53	4.8	3.10	0.6	129.77	3.40	3.40	DKAR00251
139.70	4.8	3.10	0.6	132.94	3.40	3.40	DKAR00252
142.88	4.8	3.10	0.6	136.12	3.40	3.40	DKAR00253
146.05	4.8	3.10	0.6	139.29	3.40	3.40	DKAR00254
149.23	4.8	3.10	0.6	142.47	3.40	3.40	DKAR00255
153.40	4.8	3.10	0.6	145.64	3.40	3.40	DKAR00256
155.58	4.8	3.10	0.6	148.82	3.40	3.40	DKAR00257
158.75	4.8	3.10	0.6	151.99	3.40	3.40	DKAR00258
165.10	4.8	3.10	0.6	158.34	3.40	3.40	DKAR00259
171.45	4.8	3.10	0.6	164.69	3.40	3.40	DKAR00260
177.80	4.8	3.10	0.6	171.04	3.40	3.40	DKAR00261
184.15	4.8	3.10	0.6	177.39	3.40	3.40	DKAR00262
190.50	4.8	3.10	0.6	183.74	3.40	3.40	DKAR00263
196.85	4.8	3.10	0.6	190.09	3.40	3.40	DKAR00264
203.20	4.8	3.10	0.6	196.44	3.40	3.40	DKAR00265
209.55	4.8	3.10	0.6	202.79	3.40	3.40	DKAR00266
215.90	4.8	3.10	0.6	209.14	3.40	3.40	DKAR00267
222.25	4.8	3.10	0.6	215.49	3.40	3.40	DKAR00268
228.60	4.8	3.10	0.6	221.84	3.40	3.40	DKAR00269
234.95	4.8	3.10	0.6	228.19	3.40	3.40	DKAR00270
241.30	4.8	3.10	0.6	234.54	3.40	3.40	DKAR00271
247.65	4.8	3.10	0.6	240.89	3.40	3.40	DKAR00272
254.00	4.8	3.10	0.6	247.24	3.40	3.40	DKAR00273
260.35	4.8	3.10	0.6	253.59	3.40	3.40	DKAR00274
273.05	4.8	3.10	0.6	266.29	3.40	3.40	DKAR00275
285.75	4.8	3.10	0.6	278.99	3.40	3.40	DKAR00276
298.45	4.8	3.10	0.6	291.69	3.40	3.40	DKAR00277
311.15	4.8	3.10	0.6	304.39	3.40	3.40	DKAR00278
336.55	4.8	3.10	0.6	329.79	3.40	3.40	DKAR00279
361.95	4.8	3.10	0.6	355.19	3.40	3.40	DKAR00280
387.35	4.8	3.10	0.6	380.59	3.40	3.40	DKAR00281
412.75	4.8	3.10	0.6	405.26	3.40	3.40	DKAR00282

Other dimensions and metric sizes on request!



Groove dimensions			Radius	Ring dimensions			TSS Part No.
D1 H11	H +0.2	L -0.05	r1 max.	ID	W	T	
438.15	4.8	3.10	0.6	430.66	3.40	3.40	DKAR00283
463.55	4.8	3.00	0.6	456.06	3.40	3.40	DKAR00284
20.62	7.1	4.75	0.8	10.46	5.16	5.16	DKAR00309
22.23	7.1	4.75	0.8	12.07	5.16	5.16	DKAR00310
23.80	7.1	4.75	0.8	13.64	5.16	5.16	DKAR00311
25.40	7.1	4.75	0.8	15.24	5.16	5.16	DKAR00312
26.97	7.1	4.75	0.8	16.81	5.16	5.16	DKAR00313
28.58	7.1	4.75	0.8	18.42	5.16	5.16	DKAR00314
30.15	7.1	4.75	0.8	19.99	5.16	5.16	DKAR00315
31.75	7.1	4.75	0.8	21.59	5.16	5.16	DKAR00316
33.32	7.1	4.70	0.8	23.16	5.16	5.16	DKAR00317
34.93	7.1	4.75	0.8	24.77	5.16	5.16	DKAR00318
36.50	7.1	4.75	0.8	26.34	5.16	5.16	DKAR00319
38.10	7.1	4.75	0.8	27.94	5.16	5.16	DKAR00320
39.67	7.1	4.75	0.8	29.51	5.16	5.16	DKAR00321
41.28	7.1	4.75	0.8	31.12	5.16	5.16	DKAR00322
42.85	7.1	4.75	0.8	32.69	5.16	5.16	DKAR00323
44.45	7.1	4.75	0.8	34.29	5.16	5.16	DKAR00324
47.63	7.1	4.75	0.8	37.47	5.16	5.16	DKAR00325
50.80	7.1	4.75	0.8	40.64	5.16	5.16	DKAR00326
53.98	7.1	4.75	0.8	43.82	5.16	5.16	DKAR00327
57.15	7.1	4.75	0.8	46.99	5.16	5.16	DKAR00328
60.33	7.1	4.75	0.8	50.17	5.16	5.16	DKAR00329
63.50	7.1	4.75	0.8	53.34	5.16	5.16	DKAR00330
66.68	7.1	4.75	0.8	56.52	5.16	5.16	DKAR00331
69.85	7.1	4.75	0.8	59.69	5.16	5.16	DKAR00332
73.03	7.1	4.75	0.8	62.87	5.16	5.16	DKAR00333
76.20	7.1	4.75	0.8	66.04	5.16	5.16	DKAR00334
79.38	7.1	4.75	0.8	69.22	5.16	5.16	DKAR00335
82.55	7.1	4.75	0.8	72.39	5.16	5.16	DKAR00336
85.73	7.1	4.75	0.8	75.57	5.16	5.16	DKAR00337
88.90	7.1	4.75	0.8	78.74	5.16	5.16	DKAR00338
92.08	7.1	4.75	0.8	81.92	5.16	5.16	DKAR00339
95.25	7.1	4.75	0.8	85.09	5.16	5.16	DKAR00340
98.43	7.1	4.75	0.8	88.27	5.16	5.16	DKAR00341
101.60	7.1	4.75	0.8	91.44	5.16	5.16	DKAR00342

Other dimensions and metric sizes on request!

Kantseal

Groove dimensions			Radius	Ring dimensions			TSS Part No.
D1 H11	H +0.2	L -0.05	r1 max.	ID	W	T	
104.78	7.1	4.75	0.8	94.62	5.16	5.16	DKAR00343
107.95	7.1	4.75	0.8	97.79	5.16	5.16	DKAR00344
111.13	7.1	4.75	0.8	100.97	5.16	5.16	DKAR00345
114.30	7.1	4.75	0.8	104.14	5.16	5.16	DKAR00346
117.48	7.1	4.75	0.8	107.32	5.16	5.16	DKAR00347
120.65	7.1	4.75	0.8	110.49	5.16	5.16	DKAR00348
123.83	7.1	4.75	0.8	113.67	5.16	5.16	DKAR00349
127.00	7.1	4.75	0.8	116.84	5.16	5.16	DKAR00350
130.18	7.1	4.75	0.8	120.02	5.16	5.16	DKAR00351
133.35	7.1	4.75	0.8	123.19	5.16	5.16	DKAR00352
136.53	7.1	4.75	0.8	126.37	5.16	5.16	DKAR00353
139.70	7.1	4.75	0.8	129.54	5.16	5.16	DKAR00354
142.88	7.1	4.75	0.8	132.72	5.16	5.16	DKAR00355
146.05	7.1	4.75	0.8	135.89	5.16	5.16	DKAR00356
149.23	7.1	4.75	0.8	139.07	5.16	5.16	DKAR00357
152.40	7.1	4.75	0.8	142.24	5.16	5.16	DKAR00358
155.58	7.1	4.75	0.8	145.42	5.16	5.16	DKAR00359
158.75	7.1	4.75	0.8	148.59	5.16	5.16	DKAR00360
161.93	7.1	4.75	0.8	151.77	5.16	5.16	DKAR00361
168.28	7.1	4.75	0.8	158.12	5.16	5.16	DKAR00362
174.63	7.1	4.75	0.8	164.47	5.16	5.16	DKAR00363
180.98	7.1	4.75	0.8	170.82	5.16	5.16	DKAR00364
187.33	7.1	4.75	0.8	177.17	5.16	5.16	DKAR00365
193.68	7.1	4.75	0.8	183.52	5.16	5.16	DKAR00366
200.03	7.1	4.75	0.8	189.87	5.16	5.16	DKAR00367
206.38	7.1	4.75	0.8	196.22	5.16	5.16	DKAR00368
212.73	7.1	4.75	0.8	202.57	5.16	5.16	DKAR00369
219.08	7.1	4.75	0.8	208.92	5.16	5.16	DKAR00370
225.43	7.1	4.75	0.8	215.27	5.16	5.16	DKAR00371
231.78	7.1	4.75	0.8	221.62	5.16	5.16	DKAR00372
238.13	7.1	4.75	0.8	227.97	5.16	5.16	DKAR00373
244.48	7.1	4.75	0.8	234.32	5.16	5.16	DKAR00374
250.83	7.1	4.75	0.8	240.67	5.16	5.16	DKAR00375
257.18	7.1	4.75	0.8	247.02	5.16	5.16	DKAR00376
263.53	7.1	4.75	0.8	253.37	5.16	5.16	DKAR00377
276.23	7.1	4.75	0.8	266.07	5.16	5.16	DKAR00378
288.93	7.1	4.75	0.8	278.77	5.16	5.16	DKAR00379

Other dimensions and metric sizes on request!



Groove dimensions			Radius	Ring dimensions			TSS Part No.
D1 H11	H +0.2	L -0.05	r1 max.	ID	W	T	
301.63	7.1	4.75	0.8	291.47	5.16	5.16	DKAR00380
314.33	7.1	4.75	0.8	304.17	5.16	5.16	DKAR00381
339.73	7.1	4.75	0.8	329.57	5.16	5.16	DKAR00382
365.13	7.1	4.75	0.8	354.97	5.16	5.16	DKAR00383
390.53	7.1	4.75	0.8	380.37	5.16	5.16	DKAR00384
415.93	7.1	4.75	0.8	405.27	5.16	5.16	DKAR00385
441.33	7.1	4.75	0.0	430.67	5.16	5.16	DKAR00386
466.73	7.1	4.75	0.8	456.07	5.16	5.16	DKAR00387
127.00	9.5	6.10	0.8	113.67	6.73	6.73	DKAR00425
130.18	9.5	6.10	0.8	116.84	6.73	6.73	DKAR00426
133.35	9.5	6.10	0.8	120.02	6.73	6.73	DKAR00427
136.53	9.5	6.10	0.8	123.19	6.73	6.73	DKAR00428
139.70	9.5	6.10	0.8	126.37	6.73	6.73	DKAR00429
142.88	9.5	6.10	0.8	129.54	6.73	6.73	DKAR00430
146.05	9.5	6.10	0.8	132.72	6.73	6.73	DKAR00431
149.23	9.5	6.10	0.8	135.89	6.73	6.73	DKAR00432
152.40	9.5	6.10	0.8	139.07	6.73	6.73	DKAR00433
155.58	9.5	6.10	0.8	142.24	6.73	6.73	DKAR00434
158.75	9.5	6.10	0.8	145.42	6.73	6.73	DKAR00435
161.93	9.5	6.10	0.8	148.59	6.73	6.73	DKAR00436
165.10	9.5	6.10	0.8	151.77	6.73	6.73	DKAR00437
171.45	9.5	6.10	0.8	158.12	6.73	6.73	DKAR00438
177.80	9.5	6.10	0.8	164.47	6.73	6.73	DKAR00439
184.15	9.5	6.10	0.8	170.82	6.73	6.73	DKAR00440
190.50	9.5	6.10	0.8	177.17	6.73	6.73	DKAR00441
196.85	9.5	6.10	0.8	183.52	6.73	6.73	DKAR00442
203.20	9.5	6.10	0.8	189.87	6.73	6.73	DKAR00443
209.55	9.5	6.10	0.8	196.22	6.73	6.73	DKAR00444
215.90	9.5	6.10	0.8	202.57	6.73	6.73	DKAR00445
228.60	9.5	6.10	0.8	215.27	6.73	6.73	DKAR00446
241.30	9.5	6.10	0.8	227.97	6.73	6.73	DKAR00447
254.00	9.5	6.10	0.8	240.67	6.73	6.73	DKAR00448
266.70	9.5	6.10	0.8	253.37	6.73	6.73	DKAR00449
279.40	9.5	6.10	0.8	266.07	6.73	6.73	DKAR00450
292.10	9.5	6.10	0.8	278.77	6.73	6.73	DKAR00451
304.80	9.5	6.10	0.8	291.47	6.73	6.73	DKAR00452

Other dimensions and metric sizes on request!

Kantseal

Groove dimensions			Radius	Ring dimensions			TSS Part No.
D1 H11	H +0.2	L -0.05	r1 max.	ID	W	T	
317.50	9.5	6.10	0.8	304.17	6.73	6.73	DKAR00453
330.20	9.5	6.10	0.8	316.87	6.73	6.73	DKAR00454
342.90	9.5	6.10	0.8	329.57	6.73	6.73	DKAR00455
355.60	9.5	6.10	0.8	342.27	6.73	6.73	DKAR00456
368.30	9.5	6.10	0.8	354.97	6.73	6.73	DKAR00457
381.00	9.5	6.10	0.8	367.67	6.73	6.73	DKAR00458
393.70	9.5	6.10	0.8	380.37	6.73	6.73	DKAR00459
406.40	9.5	6.10	0.8	393.07	6.73	6.73	DKAR00460
419.10	9.5	6.10	0.8	405.27	6.73	6.73	DKAR00461
431.80	9.5	6.10	0.8	417.97	6.73	6.73	DKAR00462
444.50	9.5	6.10	0.8	430.67	6.73	6.73	DKAR00463
457.20	9.5	6.10	0.8	443.37	6.73	6.73	DKAR00464
469.90	9.5	6.10	0.8	456.07	6.73	6.73	DKAR00465

Other dimensions and metric sizes on request!